



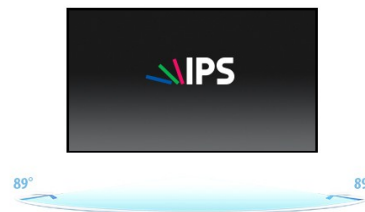
Stylish 27" AH-IPS LED-backlit screen with WQHD resolution and a height adjustable stand

Featuring WQHD (2560 x 1440) resolution, the XB2779QS can display almost 77% more information on the screen than a Full HD display. Users can create their own workspace by displaying and manipulating multiple applications at the same time. The AH-IPS matrix guarantees high performance with accurate and consistent colour reproduction, wide viewing angles and a fast response time. An array of inputs including HDMI, DisplayPort, DVI and VGA connections ensures compatibility across a wide range of multimedia devices. The XB2779QS is perfect for demanding users who settle only for the best specifications and modern design. Also available in colours: black and silver



### WQHD

With true WQHD 2560 x 1440p resolution your monitor is ready to display high definition images. This means you can accommodate more information on your screen, i.e. over 76% more in comparison to a 1920 x 1080 monitor.



### AH-IPS

The AH-IPS panel technology guarantees consistent colour reproduction with wide viewing angles and high contrast and therefore it is especially recommended for graphics design and other applications which require colours to be displayed accurately. The response time of the panel allows for smooth playback while watching films and playing games, making the IPS the best all-round technology suitable for both business and home use.

## 1. DISPLAY CHARACTERISTICS

DIAGONAL	27"; 68.5cm
PANEL	AH-IPS LED-backlit
DISPLAY AREA H X W	335.7 x 596.7 mm; 13.2" x 23.5"
RESPONSE TIME	5 ms
CONTRAST	1 000 : 1 typical
CONTRAST	5 000 000 : 1 ACR
BRIGHTNESS	350 cd/m <sup>2</sup> default, 440 cd/m <sup>2</sup> typical
VIEWING ZONE	horizontal/vertical: 178° / 178°; right/left: 89° / 89°; up/down: 89° / 89°
DISPLAY COLOUR	16.77 million
PIXEL PITCH H X V	0.233 x 0.233 mm
NATIVE RESOLUTION	2560 x 1440 ( 3.7 megapixel)
HORIZONTAL SYNC	30 - 80 KHz
VERTICAL SYNC	55 - 75 Hz
SYNCHRONIZATION	Separate Sync
ASPECT RATIO	16 : 9
COLOUR RANGE	AdobeRGB: 86%, sRGB: 116%, 82% (NTSC)

## 2. INTERFACES & CONNECTORS

ANALOG INPUT CONNECTOR	VGA
DIGITAL INPUT CONNECTOR	DVI-D, HDMI (max. 1920x1080), DisplayPort
HDCP	yes
HEADPHONE CONNECTOR	Yes
OUTPUT CONNECTOR	headphone socket

## 3. SPECIAL FEATURES

APPLE - MAC	All iiyama monitors are compatible with Apple-Macintosh computers.
PLUG & PLAY	VESA DDC2B™
CONTROLS	Via OSD in 9 languages (EN, FR, DE, NL, PL, RU, JP, Chinese (traditional and simplified)) and 5 front controls (Power, Select/ Input Select, Scroll up/ Volume, Scroll down/ i-Style Colour, Menu)
USER CONTROLS	picture (brightness, contrast, ACR, ECO mode, OD), input select, audio (volume, mute, audio input), colour adjust, information, manual image adjust (H./V. position, clock, phase, sharpness, video mode adjust), setup menu (OSD setup menu, language, opening logo, LED, auto image adjust, memory recall)
SPEAKERS	2 x 2 W (Stereo)
ANTI-THEFT-DEVICE	Kensington-lock™ prepared
CERTIFICATES	CE, TUV-Bauart, GOST-R, VCCI-B, PSE
HEIGHT ADJUSTABLE STAND	Yes
HEIGHT ADJUSTMENT	130 mm

SWIVEL STAND	90°; 45° left; 45° right
TILT ANGLE	17° up; 0° down
VESA MOUNTING	100 x 100 mm
COLOUR	White

## 4. ACCESSORIES

DRIVER	Windows 95 / 98 / 2000 / ME / XP / Vista / 7 / 8
INCLUDED ACCESSORIES	power cable, DVI-D cable, DisplayPort cable, audio cable, stand, screws (x3), quick start guide, safety guide

## 5. POWER MANAGEMENT

POWER SUPPLY	AC 100 - 240 V, 50 / 60 Hz
POWER SUPPLY UNIT	internal
POWER USAGE	55 W typical; max. 0.5 W in Power management mode
POWER MANAGEMENT	VESA DPMS, ENERGY STAR®

## 6. EU ENERGY EFFICIENCY LABEL

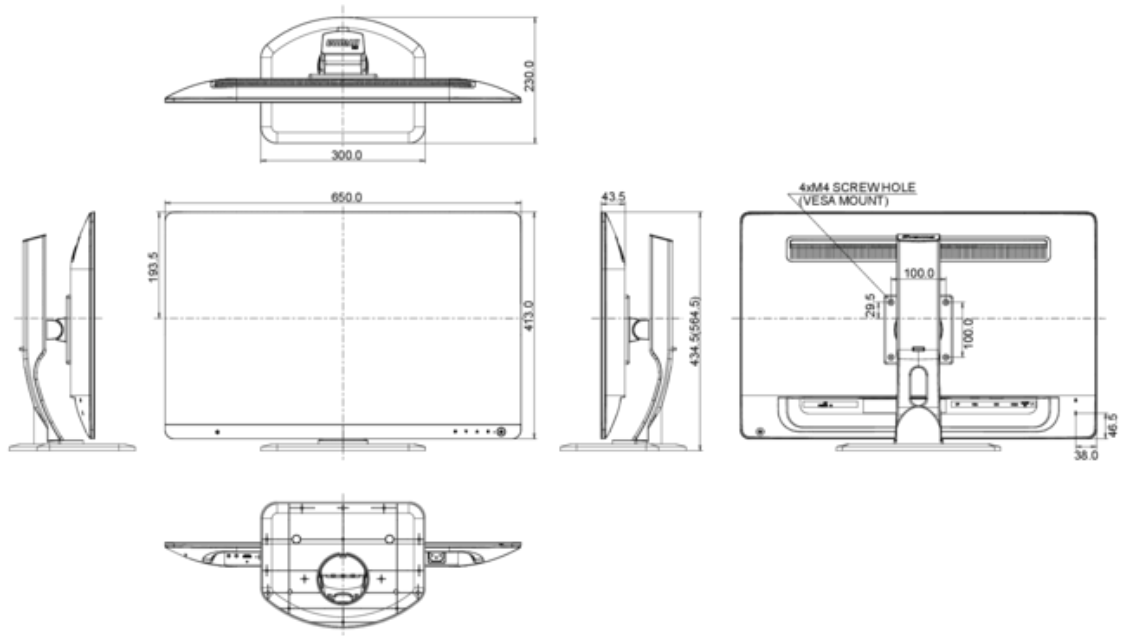
ENERGY EFFICIENCY CLASS	D
ON MODE POWER CONSUMPTION	67.3W
ANNUAL ENERGY CONSUMPTION	98 kWh/annum*
VISIBLE SCREEN DIAGONAL	69 cm; 27"; ( 27" segment )

*This is information under Regulation (EU) No 1062/2010.*

*\*Based on the power consumption of the television operating 4 hours per day for 365 days. The actual energy consumption will depend on how the television is used.*

## 7. DIMENSIONS & WEIGHT

DIMENSIONS W X H X D	650 x 435.5 (564.5) x 230 mm
WEIGHT	8.2 kg



All trademarks acknowledged. Errors and changes reserved. Product specifications are subject to change without notice. All LCD's comply with ISO-13406-2 which specifies the number and type of pixel defects.

© IIYAMA CORPORATION ( ). ALL RIGHTS RESERVED.